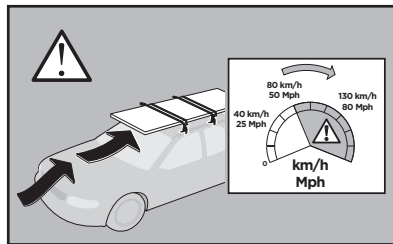
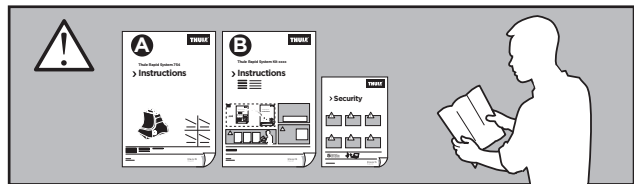
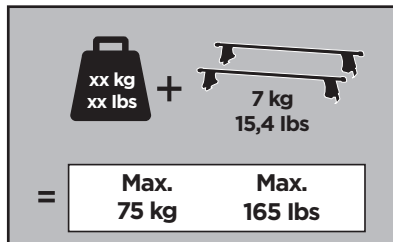
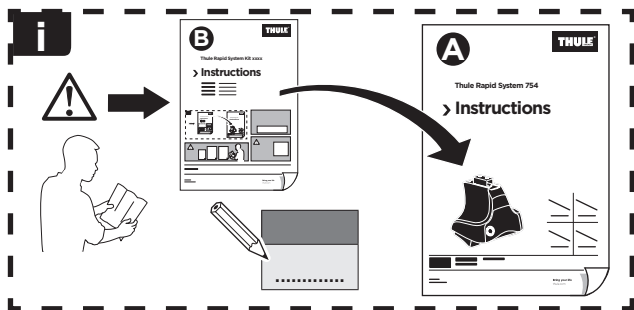




Thule Rapid System Kit 1117

> Instructions

CHRYSLER 300M, 4-dr Sedan, 98-03

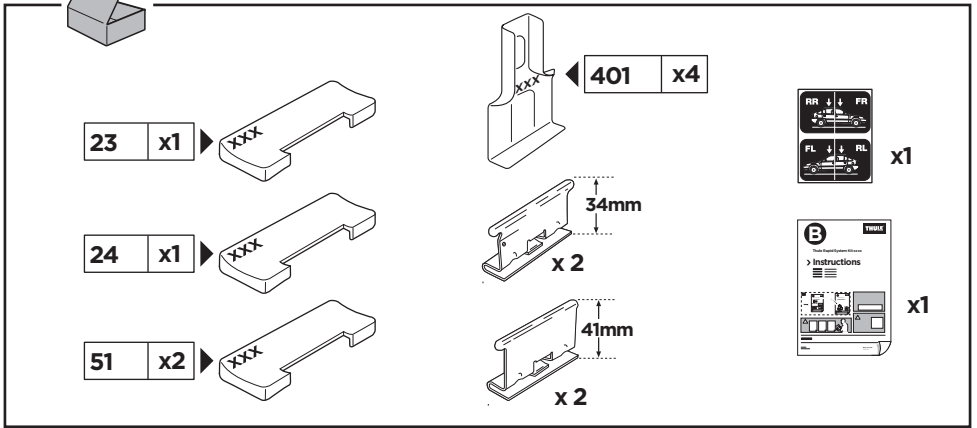


ISO 11154-E

141117

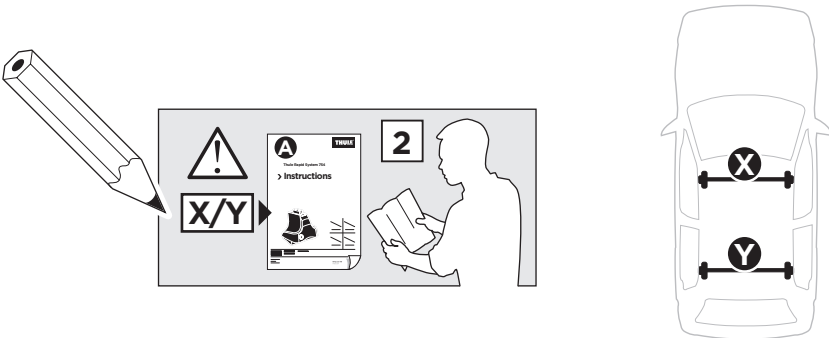
C.20130626
519-1117-01

Bring your life
thule.com



1

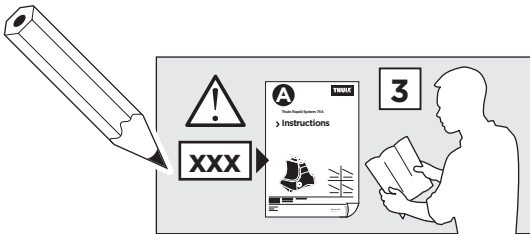
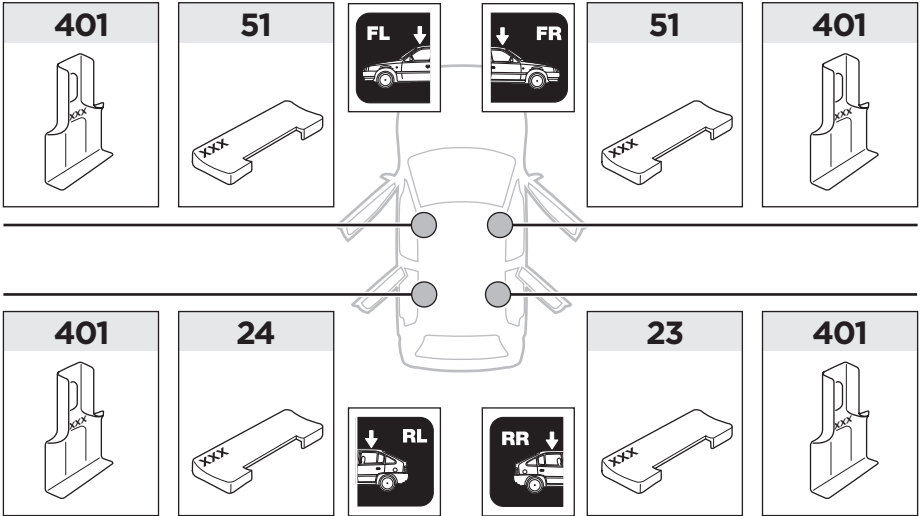
| | X (scale) | X (mm) | X (inch) |
|---|-----------|------------|-----------|
| CHRYSLER 300M, 4-dr Sedan, 98-03 | 34 | 991 | 39 |

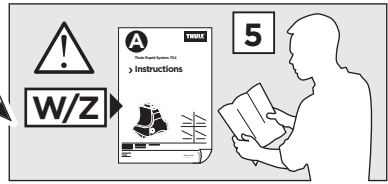


| | Y (scale) | Y (mm) | Y (inch) |
|---|-----------|------------|-------------------------------------|
| CHRYSLER 300M, 4-dr Sedan, 98-03 | 33 | 981 | 38 ⁵/₈ |

2

CHRYSLER 300M, 4-dr Sedan, 98-03



3

| | W (mm) | Z (mm) | W (inch) | Z (inch) |
|--|------------|------------|-------------------------------------|-------------------------------------|
| CHRYSLER 300M , 4-dr Sedan, 98-03 | 300 | 650 | 11 ³/₄ | 25 ⁵/₈ |

