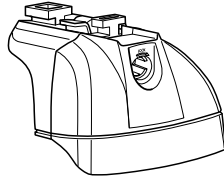
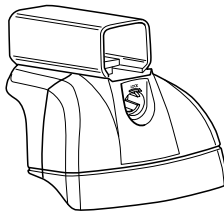
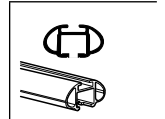


Kit 3112

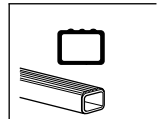
LAND ROVER LR3 w/Factory Track, 5-dr SUV, 05-09
LAND ROVER LR4 w/Factory Track, 5-dr SUV, 10-
HUMMER H3 w/Factory Track, 5-dr SUV, 05-10
HUMMER H3T w/Factory Track, 4-dr Pickup, 09-10



460R



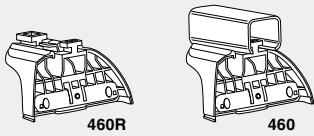
460



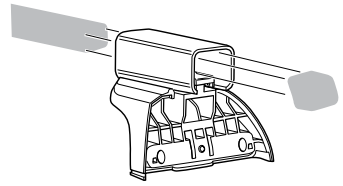
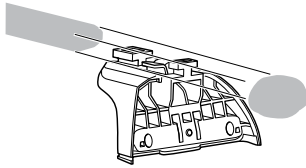
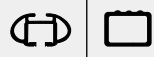
460R

460

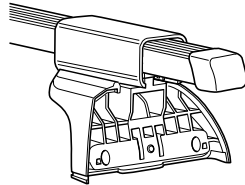
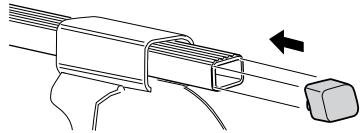
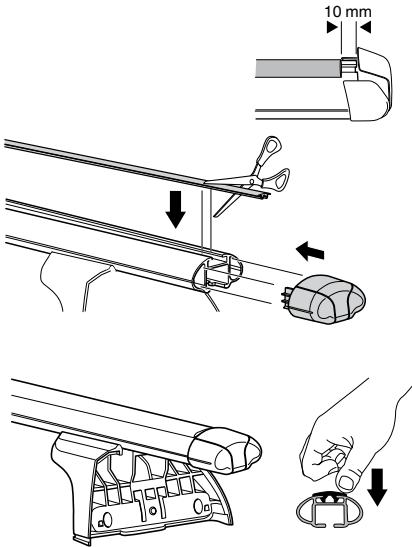
1



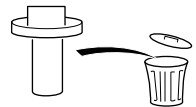
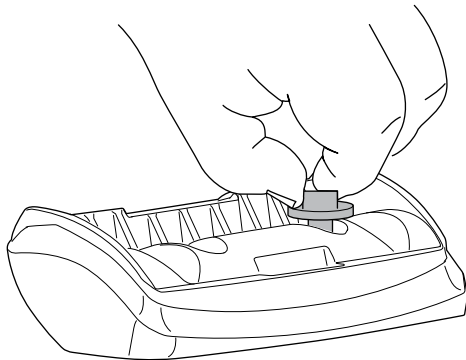
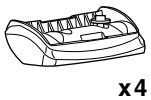
+

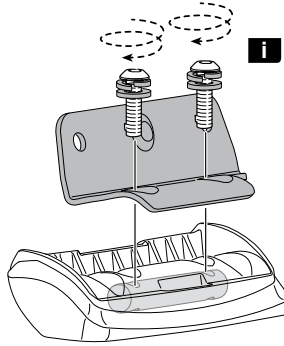
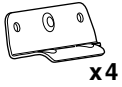


10 mm



2

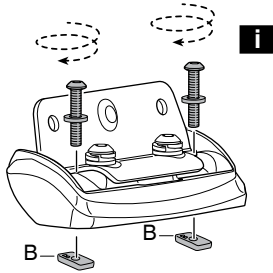


3

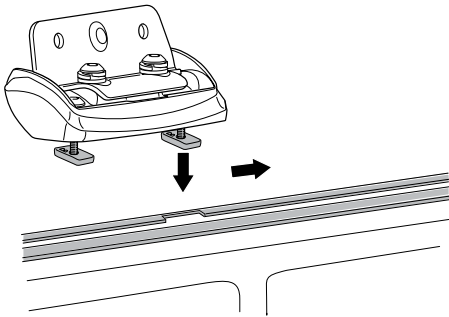
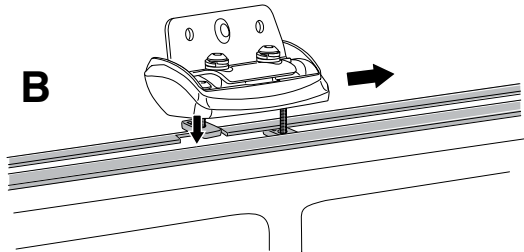
- GB** Only a few turns
F Quelques tours uniquement
E Sólo algunas vueltas

4

LAND ROVER LR3 w/Factory Track, 5-dr SUV, 05-09
LAND ROVER LR4 w/Factory Track, 5-dr SUV, 10-

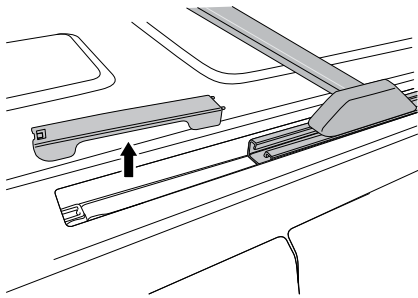


- GB** Only a few turns
F Quelques tours uniquement
E Sólo algunas vueltas

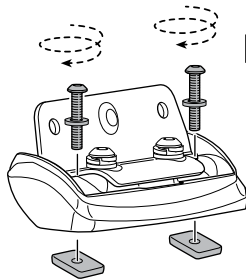
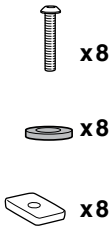
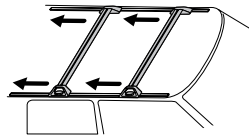
A**B**

4

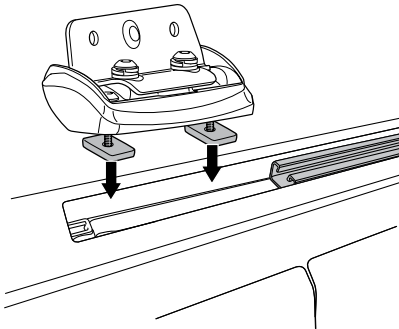
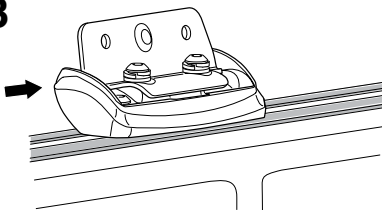
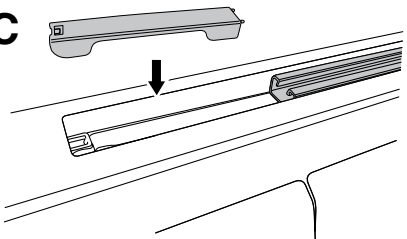
HUMMER H3 w/Factory Track, 5-dr SUV, 05-10
HUMMER H3T w/Factory Track, 4-dr Pickup, 09-10



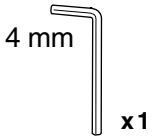
- GB** Remove factory racks.
F Retirez les barres installées en usine.
E Para sacar el portacargas de fábrica.

**i**

- i** **GB** Only a few turns
F Quelques tours uniquement
E Sólo algunas vueltas

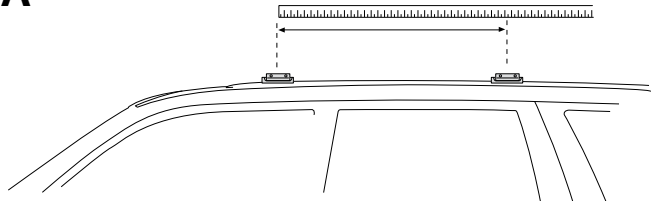
A**B****C**

5



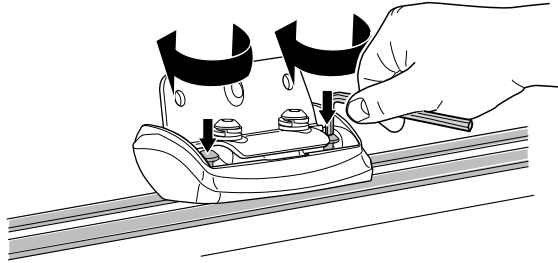
A

24" – 28" / 610 – 711 mm

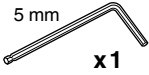


B

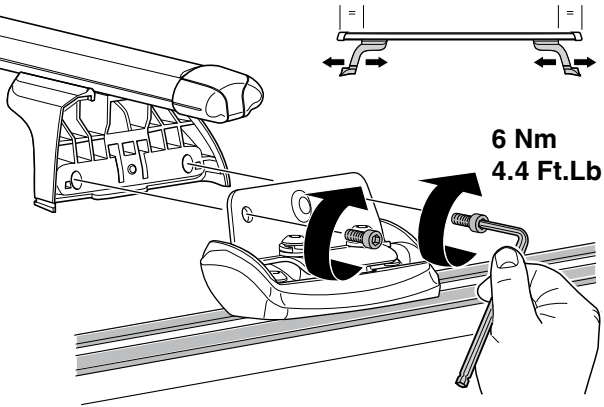
2.5 Nm
1.8 Ft.Lb



6

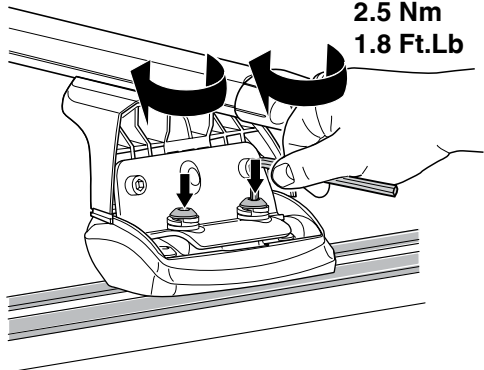


A



B

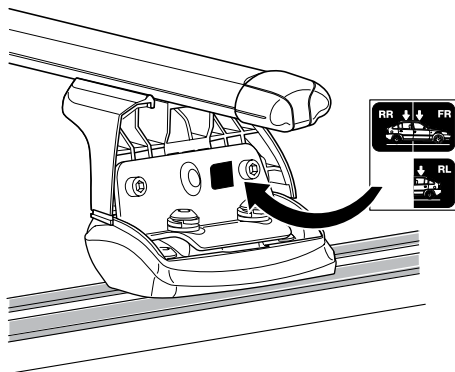
2.5 Nm
1.8 Ft.Lb



7



x1



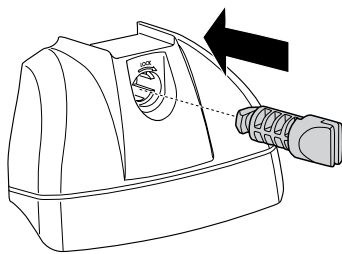
8



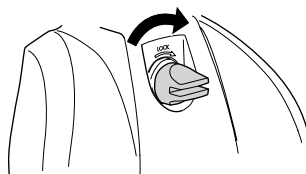
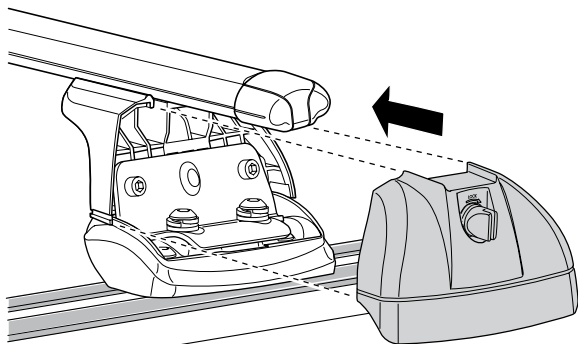
x4

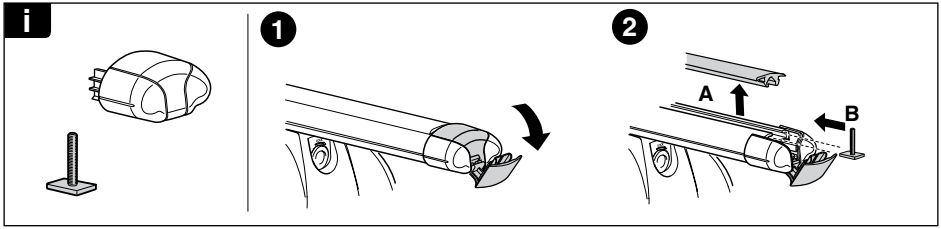
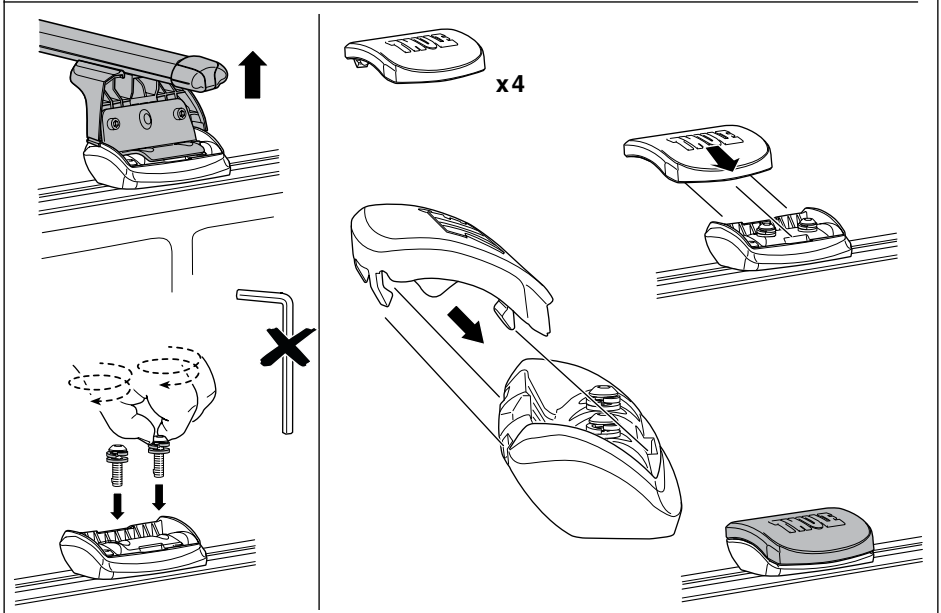
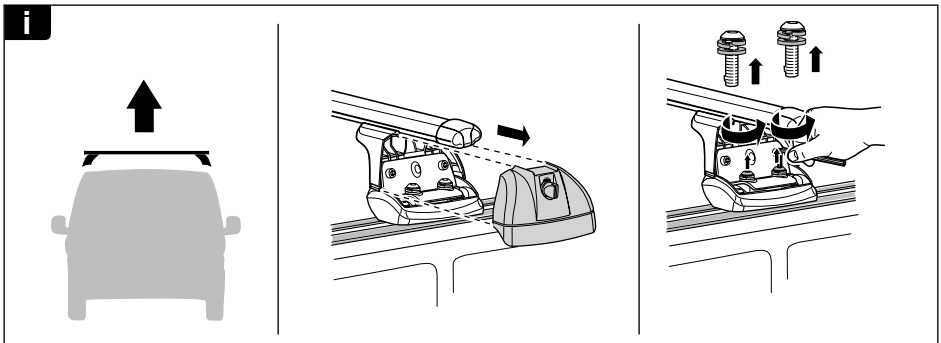


x4



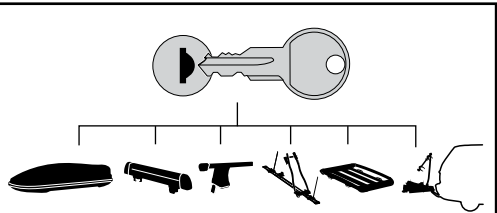
9









THULE
SWEDEN

**ONE
KEY
SYSTEM**



- 512**  (x2)
- 544**  (x4)
- 596**  (x6)
- 588**  (x8)